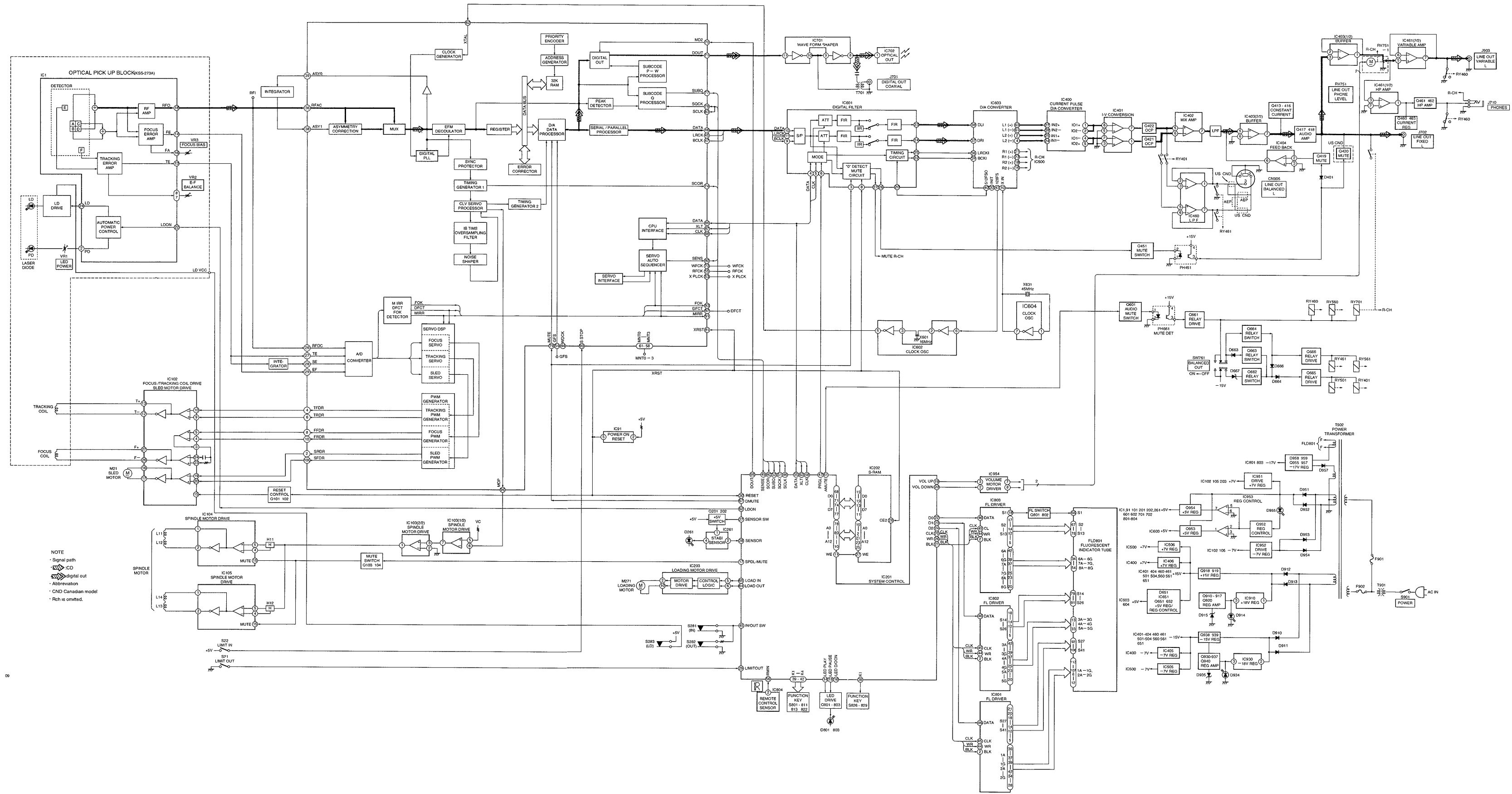
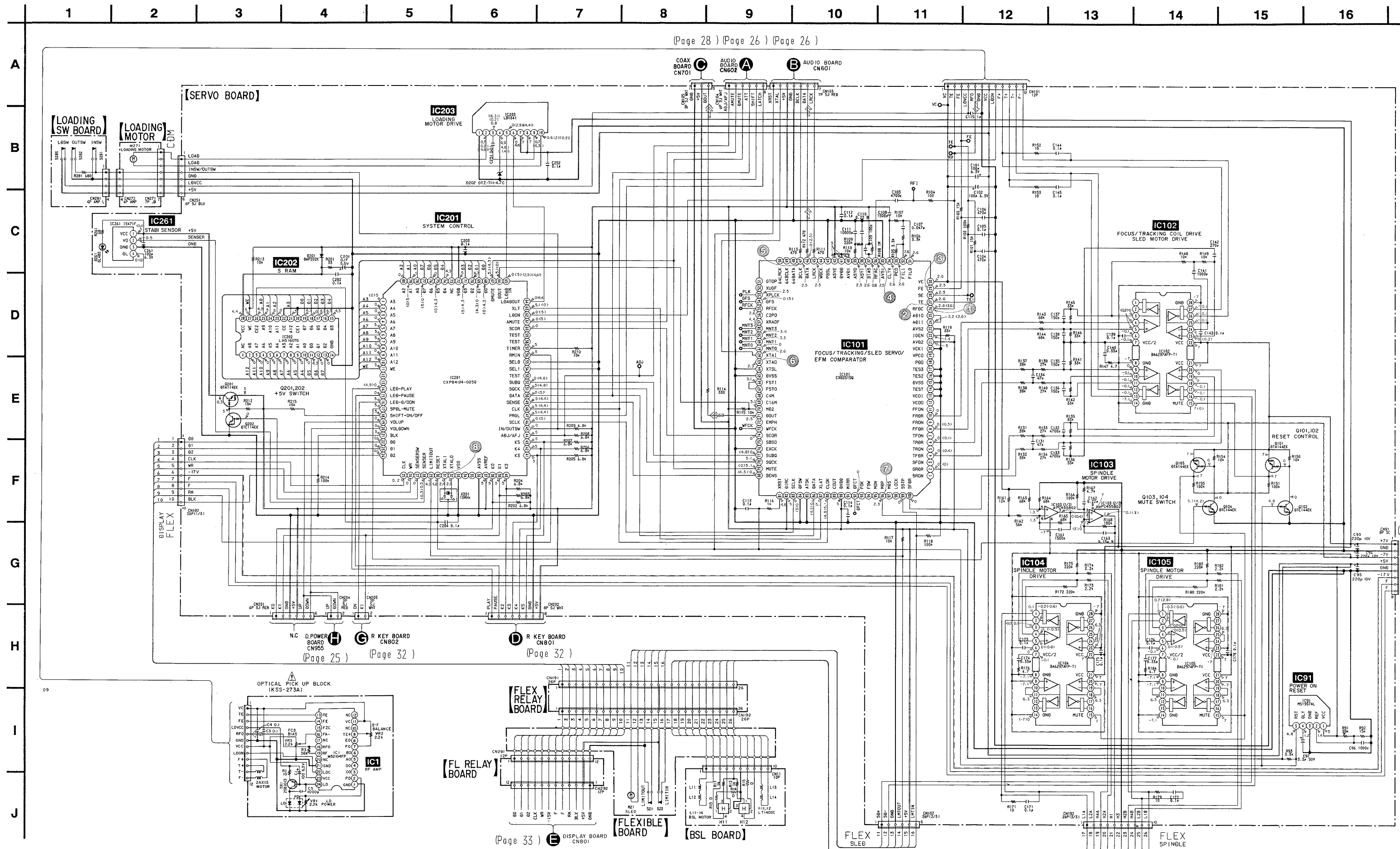


5-2. BLOCK DIAGRAM



5-5. SCHEMATIC DIAGRAM — SERVO SECTION —
 • See page 35 for IC Pin Functions. (IC201)



Note:

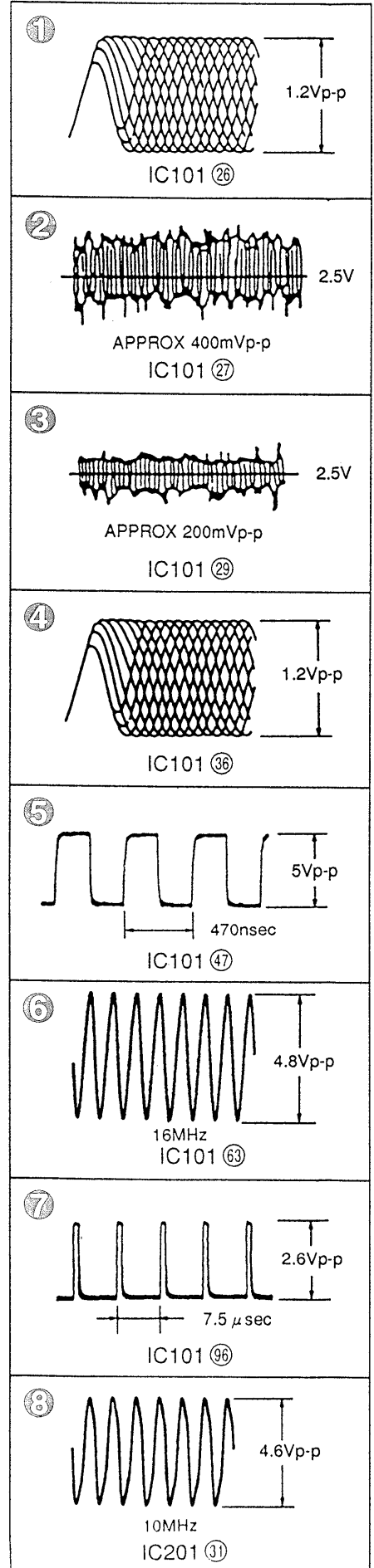
- All capacitors are in μF unless otherwise noted. pF : μF 50WV or less are not indicated except for electrolytics and tantalums.
- All resistors are in Ω and 1/4W or less unless otherwise specified.
- Δ : internal component.
- \square : panel designation.

Note:
 The components identified by mark Δ or dotted line with mark Δ are critical for safety. Replace only with part number specified.

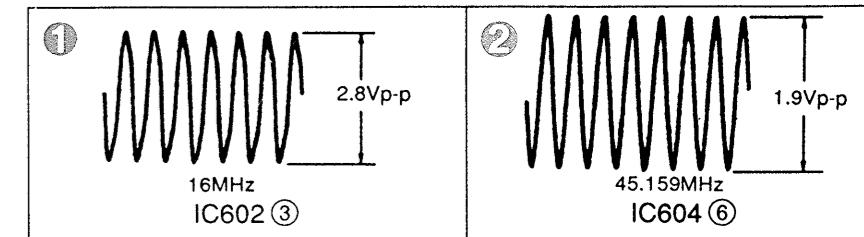
Note:
 Les composants identifiés par une marque Δ sont critiques pour la sécurité. Ne les remplacer que par une pièce portant le numéro spécifié.

- \square : B+ Line
- \square : B- Line
- Voltage and waveforms are dc with respect to ground in playback mode.
- no mark: STOP
- < >: PLAY
- (): LOAD OUT
- (()): LOAD IN
- Voltages are taken with a VOM (Input impedance 10M Ω). Voltage variations may be noted due to normal production tolerances.
- Waveforms are taken with an oscilloscope. Voltage variations may be noted due to normal production tolerances.
- Circled numbers refer to waveforms.
- Signal path.
- \Rightarrow : CD
- \Rightarrow : digital out

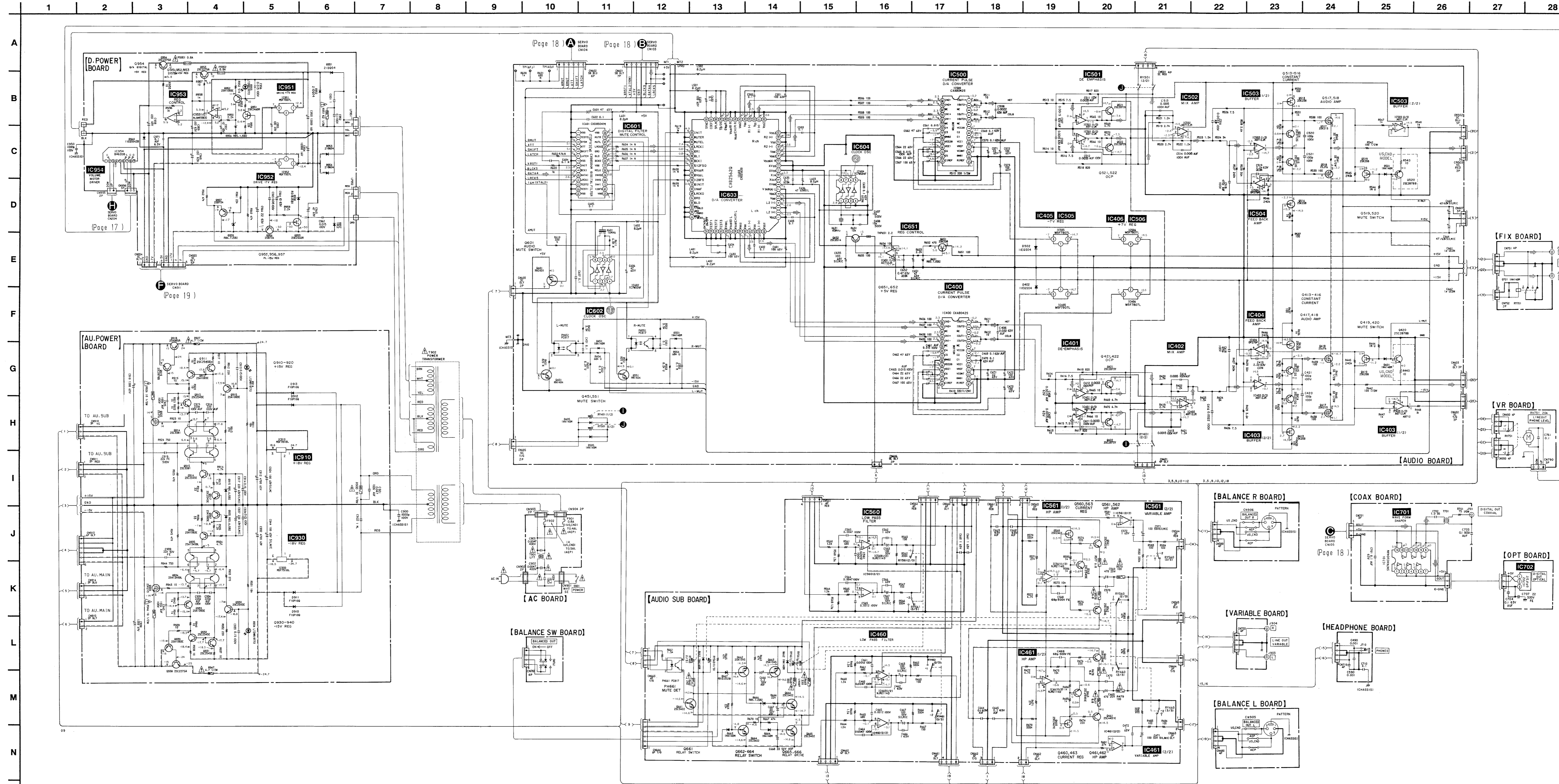
• Waveforms



Waveforms



5-7. SCHEMATIC DIAGRAM — MAIN SECTION —



- Note:**
- All capacitors are in μF unless otherwise noted. μF : μF , 50WV or less are not indicated except for electrolytics and tantalums.
 - All resistors are in Ω and 1/4W or less unless otherwise specified.
 - Δ : internal component.
 - \square : fusible resistor.
 - \square : panel designation.

Note:
The components identified by mark Δ or dotted line with mark Δ are critical for safety. Replace only with part number specified.

Note:
Les composants identifiés par une marque Δ sont critiques pour la sécurité. Ne les remplacer que par une pièce portant le numéro spécifié.

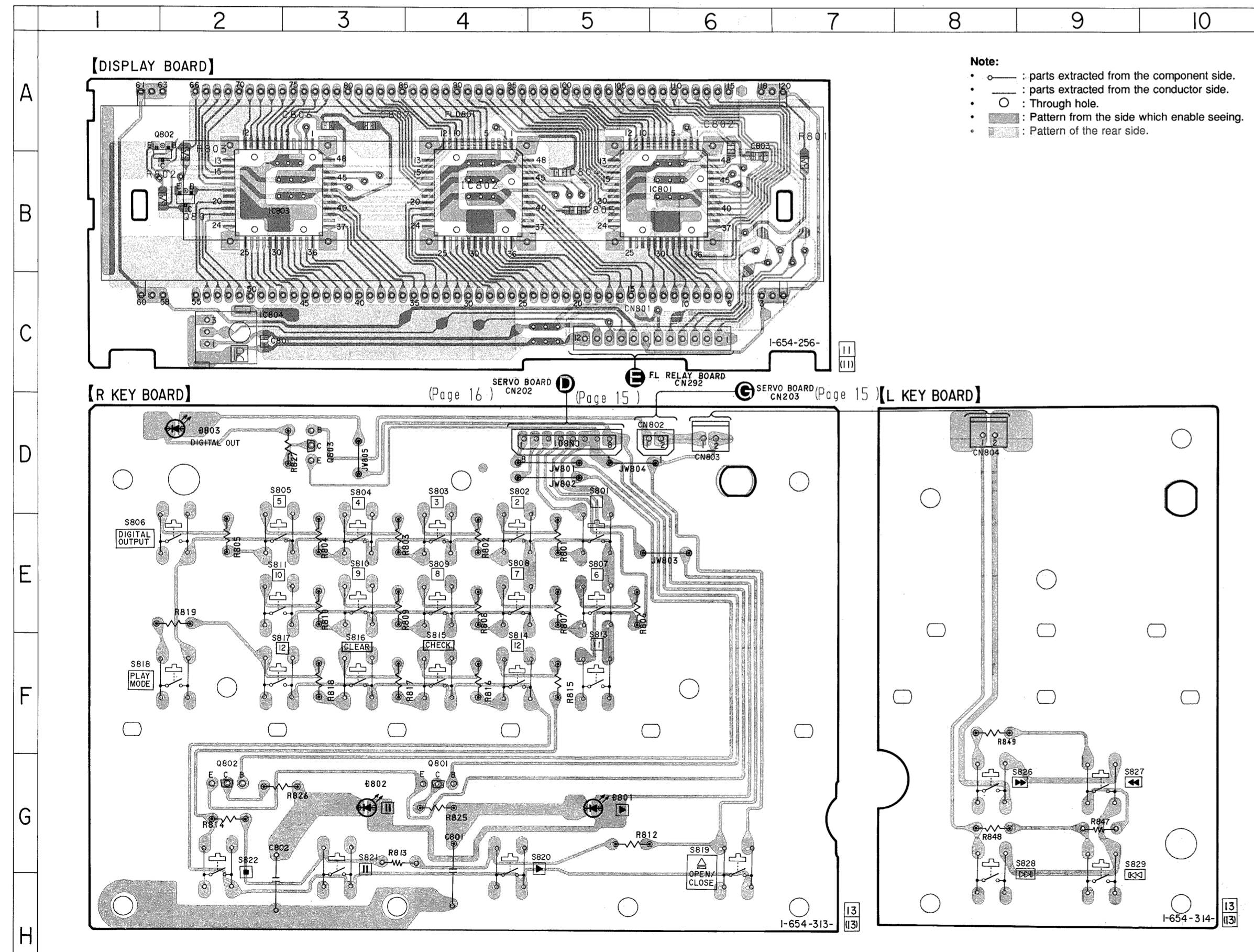
- B+ Line
- B- Line
- Voltage and waveforms are dc with respect to ground under no-signal conditions.
- no mark : STOP
- Voltagés are taken with a VOM (input impedance 10M Ω). Voltage variations may be noted due to normal production tolerances.
- Waveforms are taken with an oscilloscope. Voltage variations may be noted due to normal production tolerances.
- Circled numbers refer to waveforms.
- Signal path:
 - \circ : digital out
 - \circ : Abbreviation
 - CND : Canadian model.

• Semiconductor Location

Ref. No.	Location
D801	G-5
D802	G-3
D803	D-2
IC801	B-6
IC802	B-4
IC803	B-2
IC804	C-2
Q801	B-2
Q801	G-4
Q802	B-2
Q802	G-2
Q803	D-3

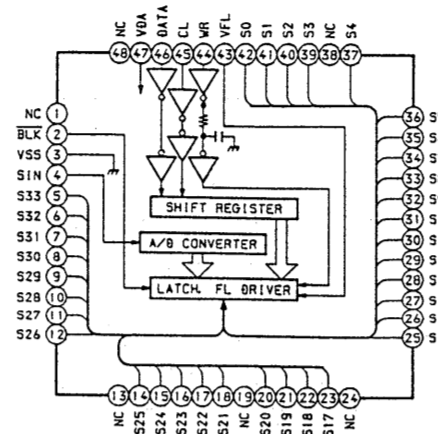
5-8. PRINTED WIRING BOARD — PANEL SECTION —

- See page 10 for Circuit Boards Location.
- See page 14 for Semiconductor Lead Layouts.



IC Block Diagram

IC801-803 LC7570E



5-9. SCHEMATIC DIAGRAM — PANEL SECTION —

